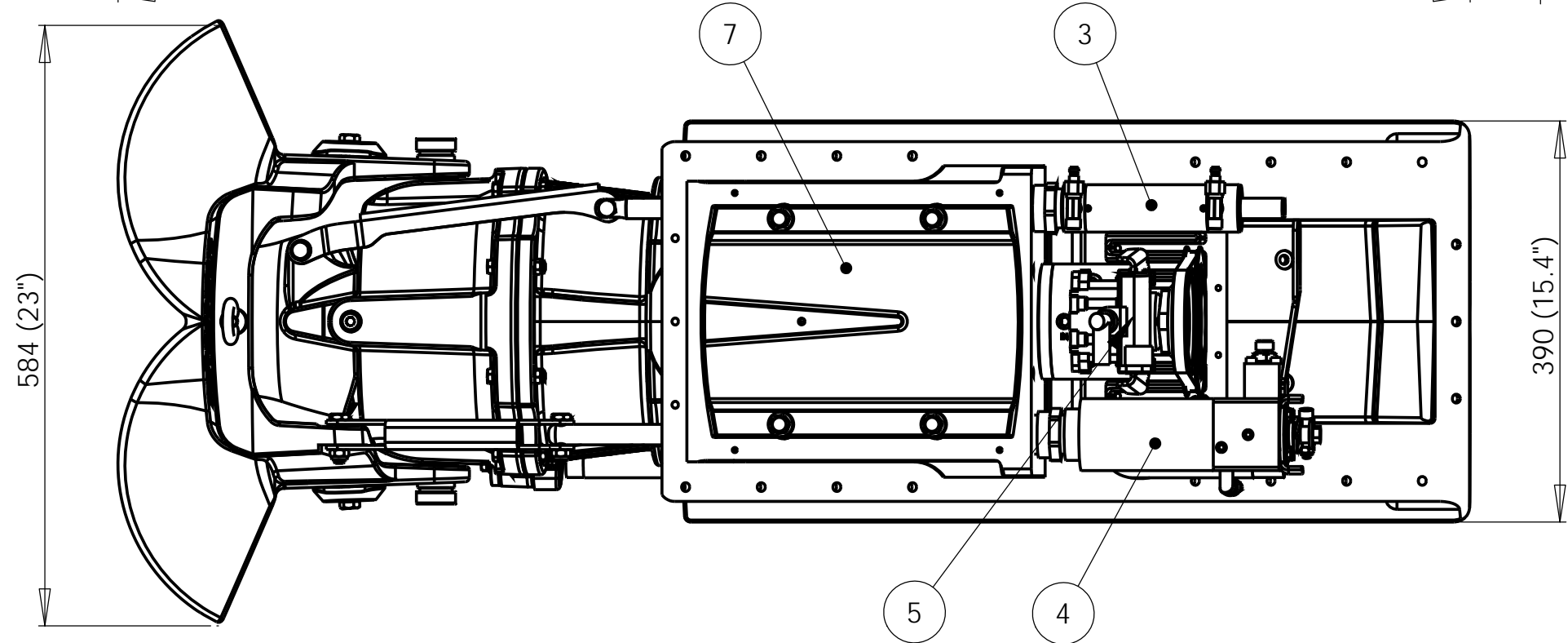
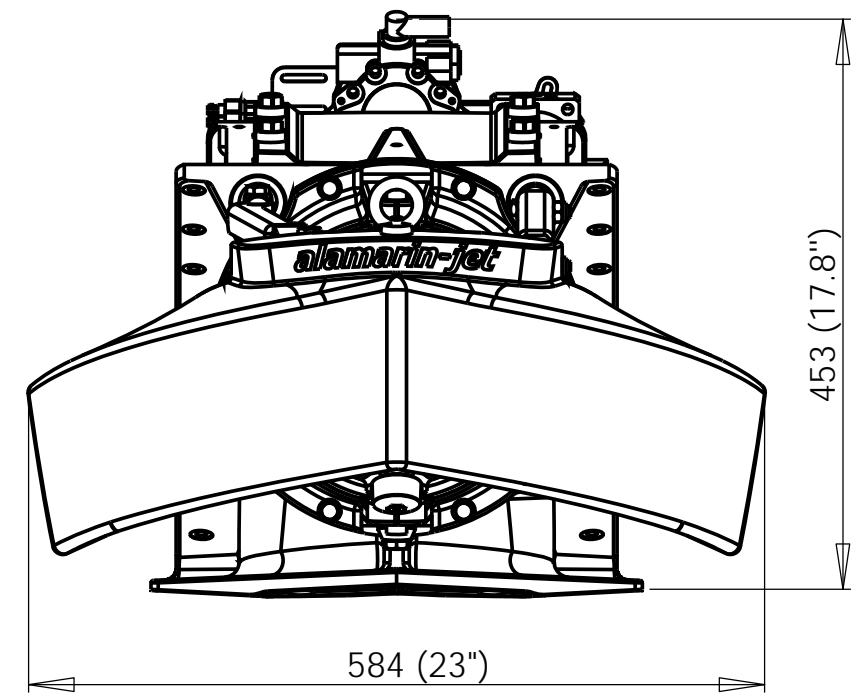
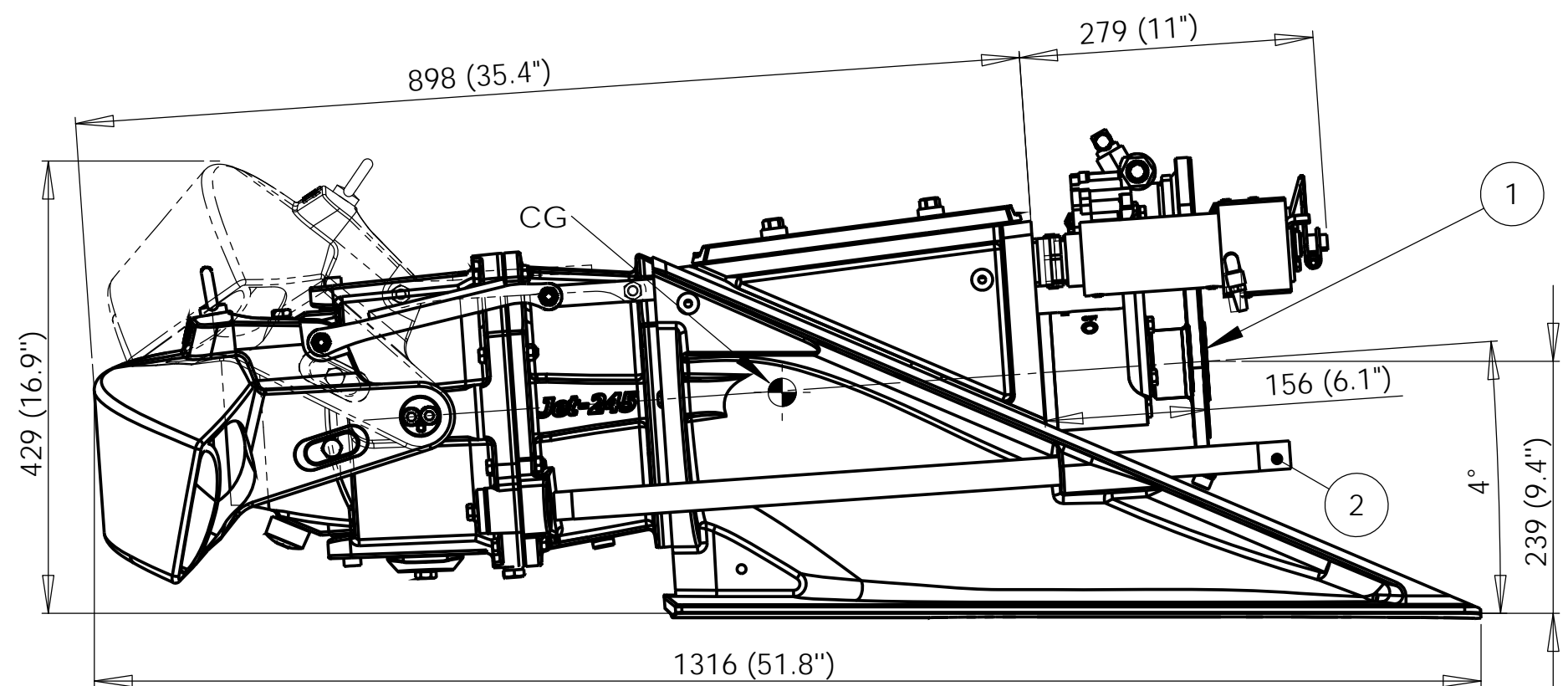


THE INFORMATION CONTAINED HEREIN IS CONFIDENTIAL AND PROPRIETARY TO ALAMARIN-JET OY AND IS NOT TO BE REPRODUCED, MODIFIED OR USED WITHOUT PRIOR PERMISSION OF ALAMARIN-JET OY OR ITS DULY AUTHORIZED REPRESENTATIVE. ALL RIGHTS RESERVED.



Technical data

Max. power	235kW/320hp
Max. rpm	4600 1/s
Vessel displacement	3.5t (single jet, planing)
Impeller diameter	245mm (9.7")
Unit weight	95kg (209lbs)
Entrained water*	5,4L (1.4gal)

*Volume inside the unit within the boat hull (loss of buoyancy)

1. DIN-120 drive flange.
2. 3/4" BSP raw water intake.
3. Integrated hydraulic steering cylinder, compatible with common helm pumps.
4. Integrated hydraulic cylinder for reverse deflector control.
5. Integrated hydraulic pump unit for reverse deflector cylinder.
6. Integrated oil cooler for reverse deflector cylinder.
7. Inspection hatch.

<small>Työtapaakohtaiset toleranssit: Koneistettavat SFS4011 (ISO2768) keski hitsatut rakenteet SFS3393-B pituus ja kulmat Muoto- ja asentotoleranssit DIN8570BL3 - E Valut SFS-ISO8062</small>	Pintakäsittely	Pinta-ala [m ²]	Massa [kg] 95	Suunnittelija HRa	10.3.2013	
	Väri		ISO	Piirtänyt HRa	2.4.2013	
	Long tail			Hyväksynyt MAI	15.6.2013	
				Tuotekoodi		Versio
				AJ 245		A
Koko A3	Mittakaava 1:6	Sivu 1/4				