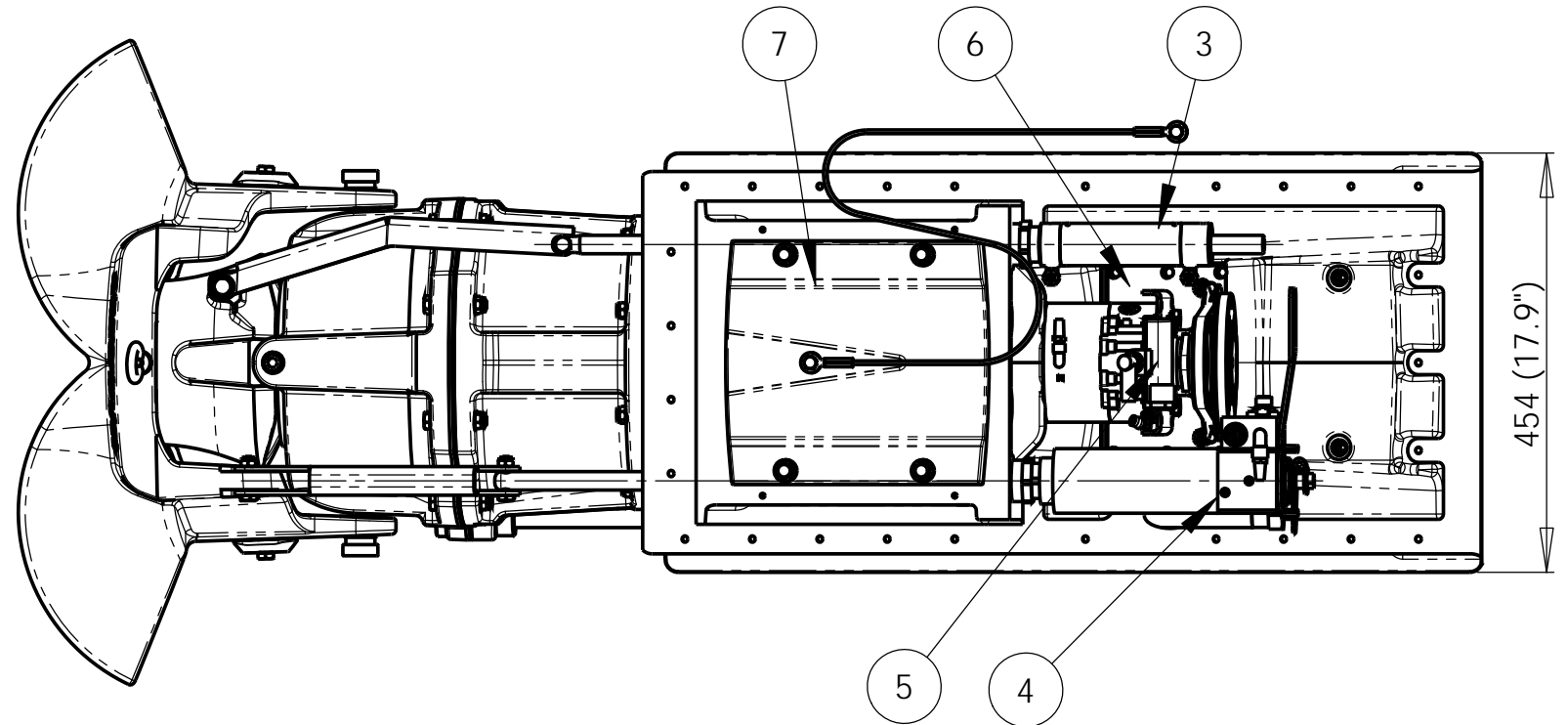
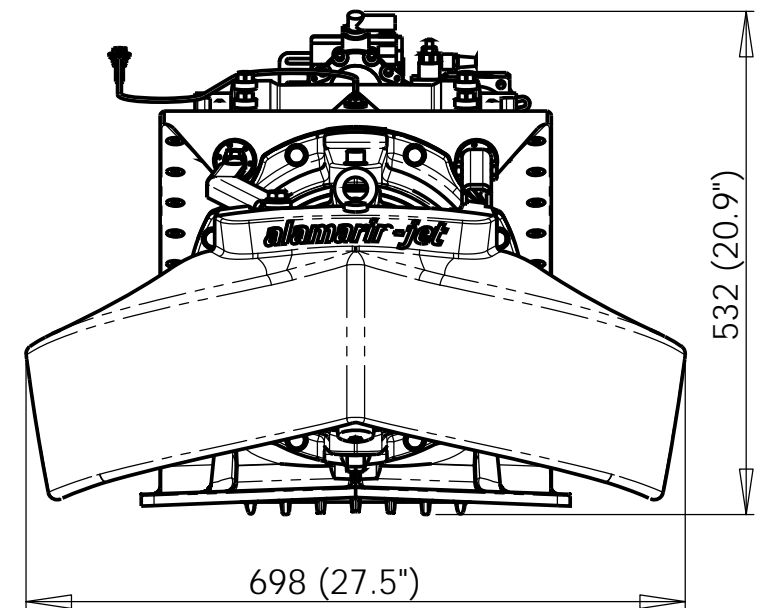
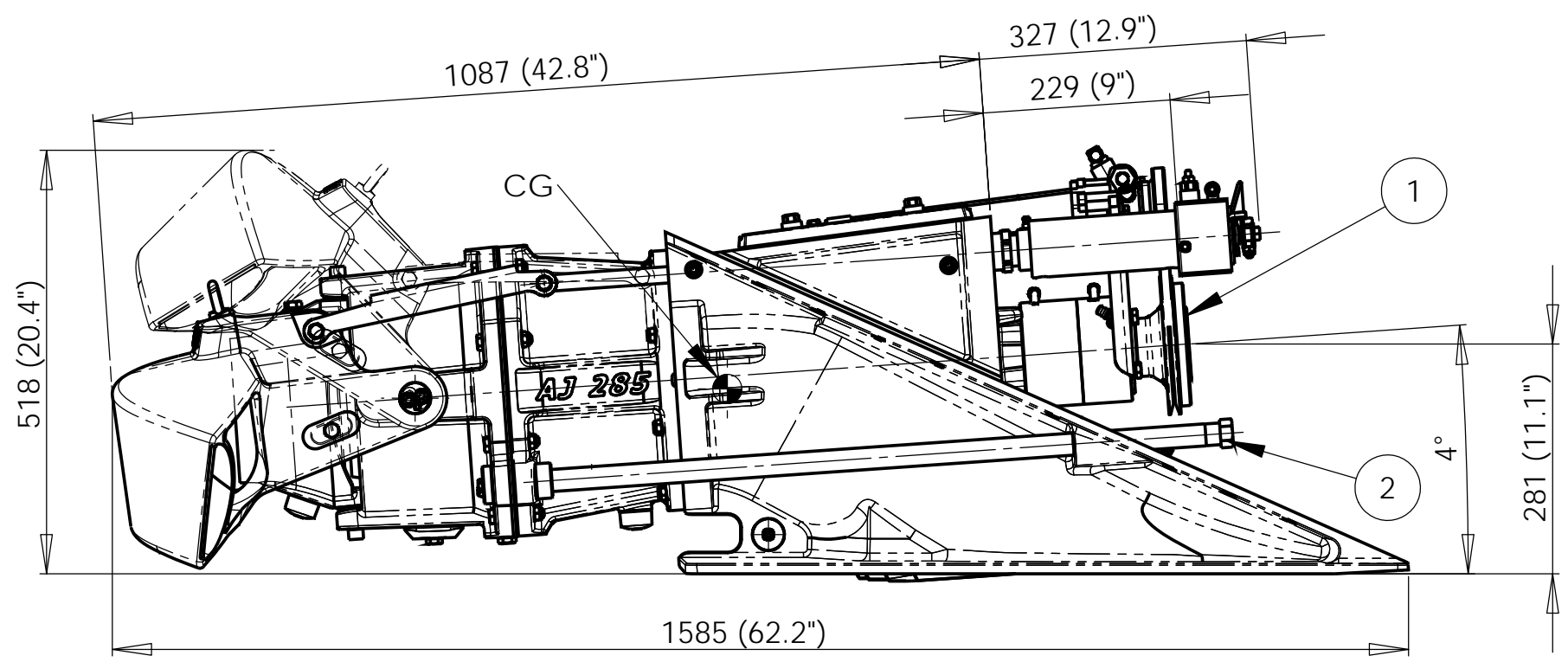


THE INFORMATION CONTAINED HEREIN IS CONFIDENTIAL AND PROPRIETARY TO ALAMARIN-JET, LTD. AND IS NOT TO BE REPRODUCED, MODIFIED OR USED WITHOUT PRIOR PERMISSION OF ALAMARIN-JET, LTD. OR ITS DULY AUTHORIZED REPRESENTATIVE. ALL RIGHTS RESERVED.



Technical data

Max. power	368kW/500hp
Max. rpm	3700 1/s
Vessel displacement	5t (single jet, planing)
Impeller diameter	288mm (11.3")
Unit weight	148kg (326lbs)
Entrained water*	29L (7.7gal)

*Volume inside the unit within the boat hull (loss of buoyancy)

1. DIN-150 drive flange.
2. 3/4" BSP raw water intake.
3. Integrated hydraulic steering cylinder, compatible with common helm pumps.
4. Integrated hydraulic cylinder for reverse deflector control.
5. Integrated hydraulic pump unit for reverse deflector cylinder.
6. Integrated oil cooler for reverse deflector hydraulic system.
7. Inspection hatch.

Work Tolerances: Machining SFS4011 (ISO2768) middle Welded structures SFS3393-B length and angles Form and orientation tolerances DIN8570BL3 - E castings SFS-ISO8062	Surface treatment	Surface area [m²]	Mass [kg] 148	Designer HRa	12.03.2015
	Colour		ISO	Drawn VKa	01.10.2015
	Long tail		Product code AJ 285	Version DEV	
	Size A3	Scale 1:8	Page 1/4		